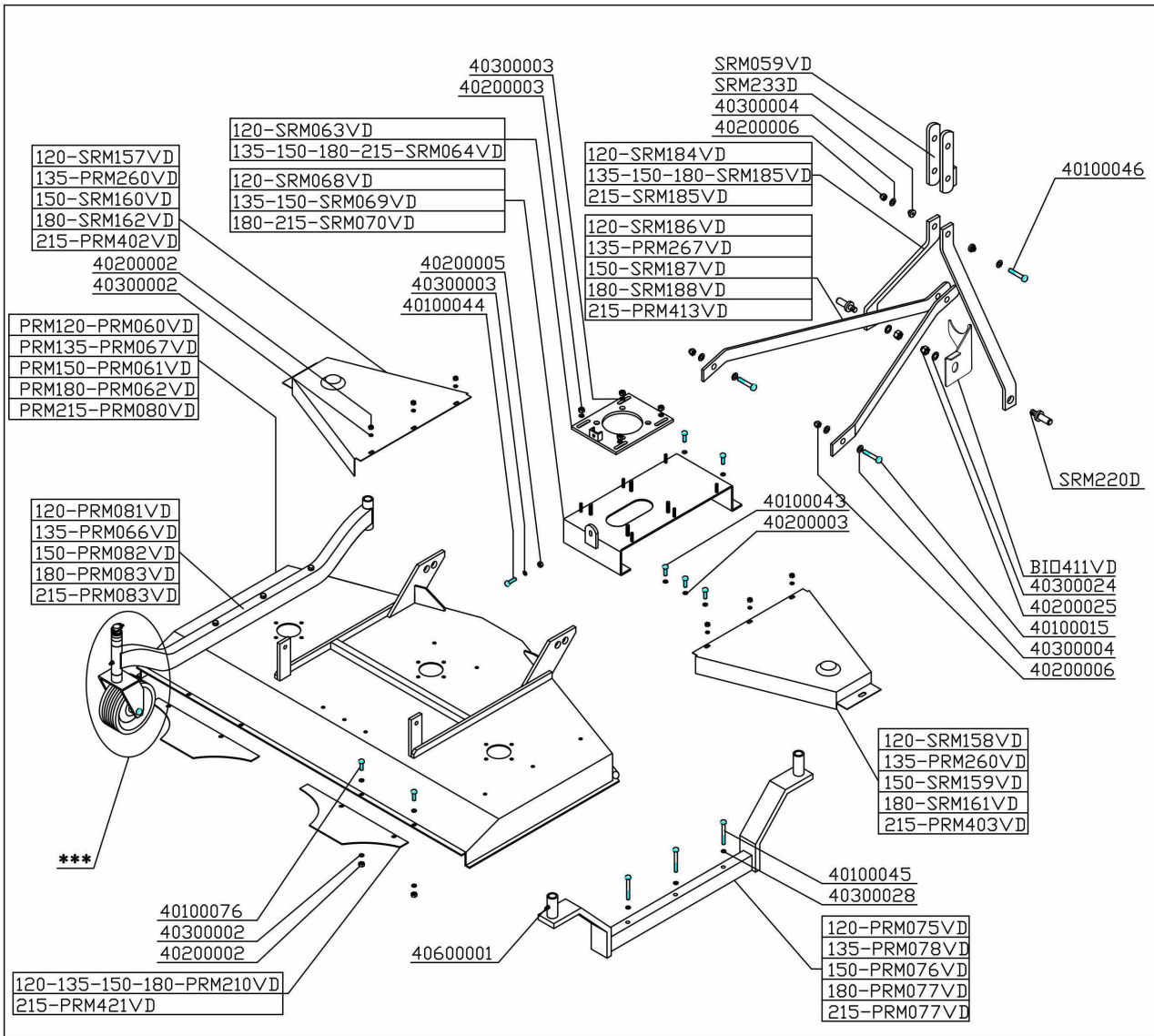


SPARE PARTS AND OPTIONS

PRM-FMRD FRAME COMPONENTS

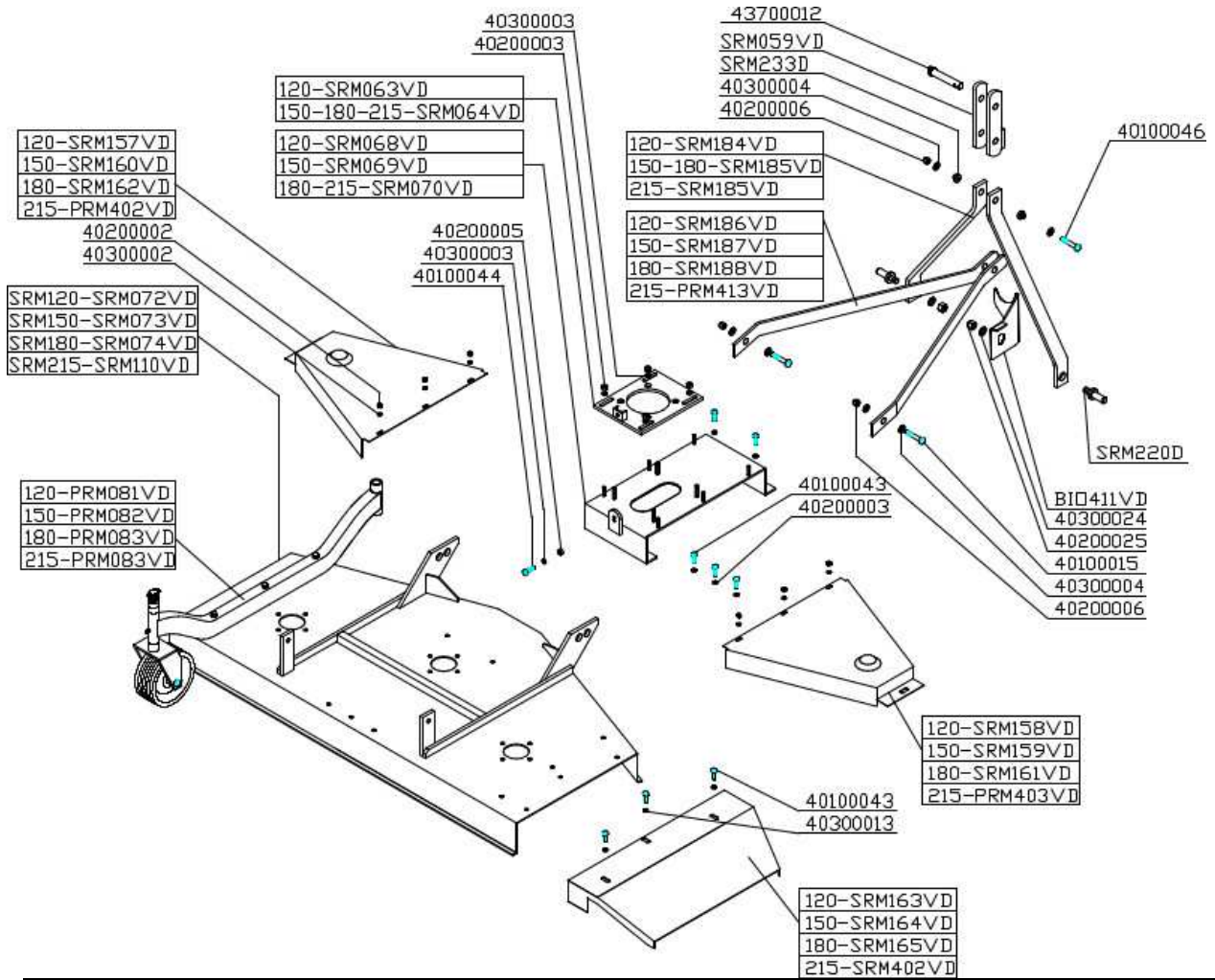


- *- WHEEL BRACKET / WHEEL JOINT**

Mower type	Rubber wheel Ø 210		Rubber wheel Ø 310		Tire wheel Ø 330	
	Wheel code	Wheel bracket code	Wheel code	Wheel bracket code	Wheel code	Wheel bracket code
PRM 120 FMRD 120	SRM071D	PRM063VD	SRM116D	PRM075VD	SRM115D	PRM075VD
PRM 135 FMRD 135	SRM071D	PRM066VD	SRM116D	PRM078VD	SRM115D	PRM078VD
PRM 150 FMRD 150	SRM071D	PRM065VD	SRM116D	PRM076VD	SRM115D	PRM076VD
PRM 180 FMRD 180	SRM071D	PRM064VD	SRM116D	PRM077VD	SRM115D	PRM077VD
PRM 215	SRM071D	PRM064VD	SRM116D	PRM077VD	SRM115D	PRM077VD
Standard	X					
Option			X		X	

NOTE: For wheels spare parts see page 25.

SRM-FM FRAME COMPONENTS

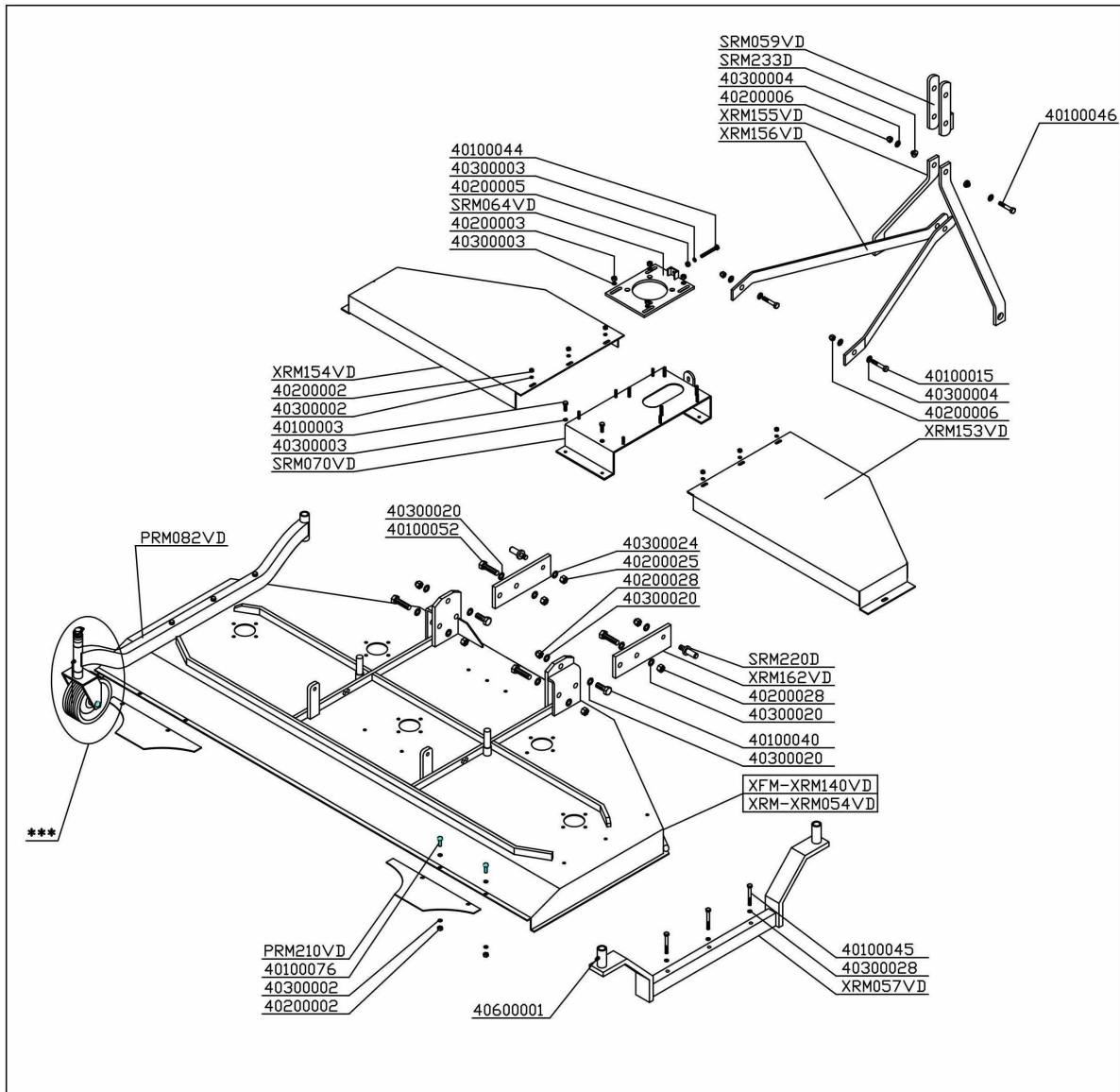


- ***- WHEEL BRACKET / WHEEL JOINT

Mower type	Rubber wheel Ø 210		Rubber wheel Ø 310		Tire wheel Ø 330	
	Wheel code	Wheel bracket code	Wheel code	Wheel bracket code	Wheel code	Wheel bracket code
SRM 120 FM 120	SRM071D	SRM060VD	SRM116D	SRM096VD	SRM115D	SRM096VD
SRM 150 FM 150	SRM071D	SRM061VD	SRM116D	SRM097VD	SRM115D	SRM097VD
SRM 180 FM 180	SRM071D	SRM062VD	SRM116D	SRM098VD	SRM115D	SRM098VD
SRM 215	SRM071D	SRM062VD	SRM116D	SRM098VD	SRM115D	SRM098VD
Standard	X					
Option			X			X

NOTE: For wheels spare parts see page 25.

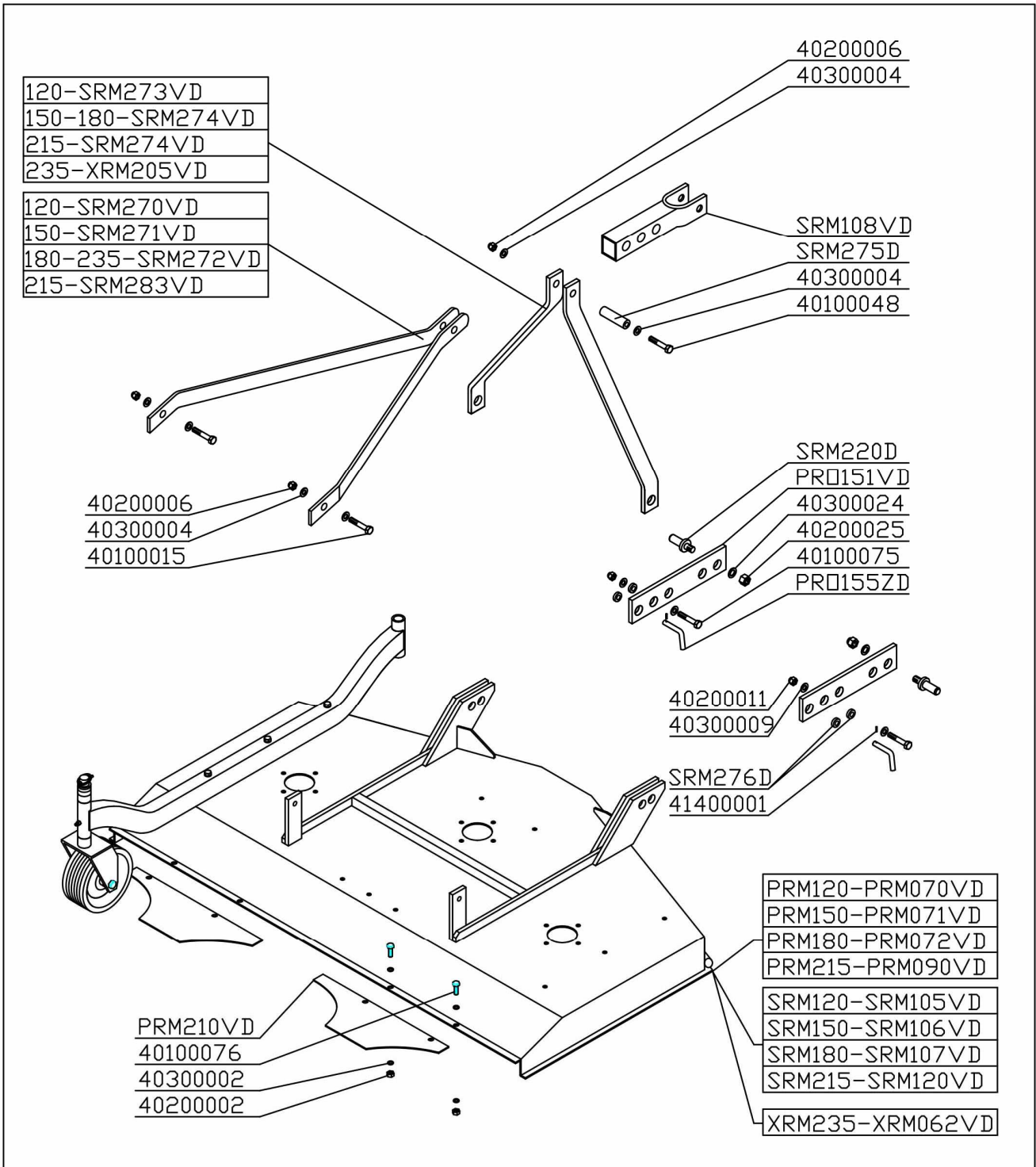
XRM-XFM FRAME COMPONENTS



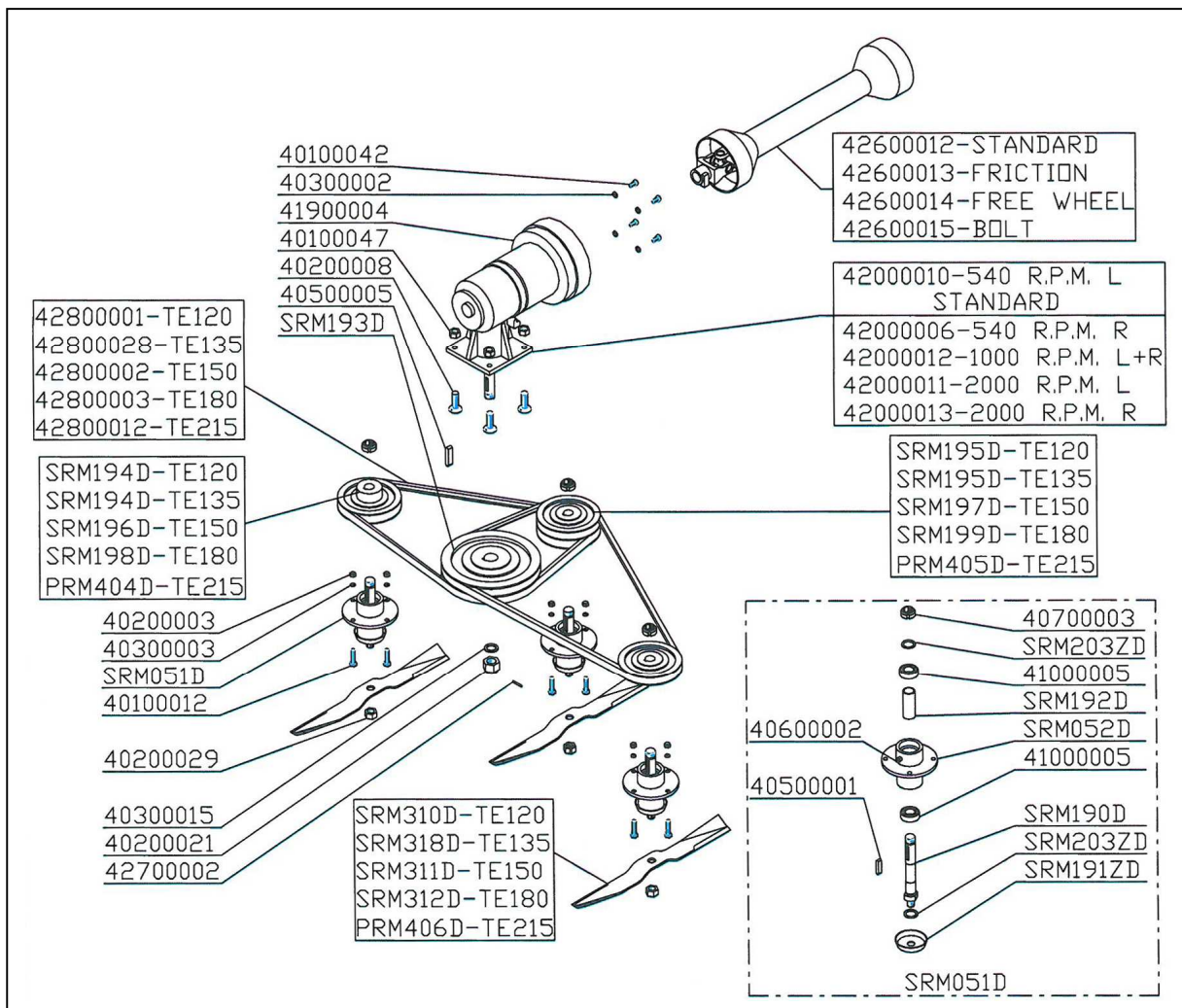
- ***- WHEEL BRACKET / WHEEL JOINT						
	Rubber wheel Ø 210		Rubber wheel Ø 310		Tire wheel Ø 330	
Mower type	Wheel code	Wheel bracket code	Wheel code	Wheel bracket code	Wheel code	Wheel bracket code
XRM XFM	SRM071D	PRM065VD	SRM116D	XRM057VD	SRM115D	XRM057VD
Standard	X					
Option			X			X

NOTE: For wheels spare parts see page 25.

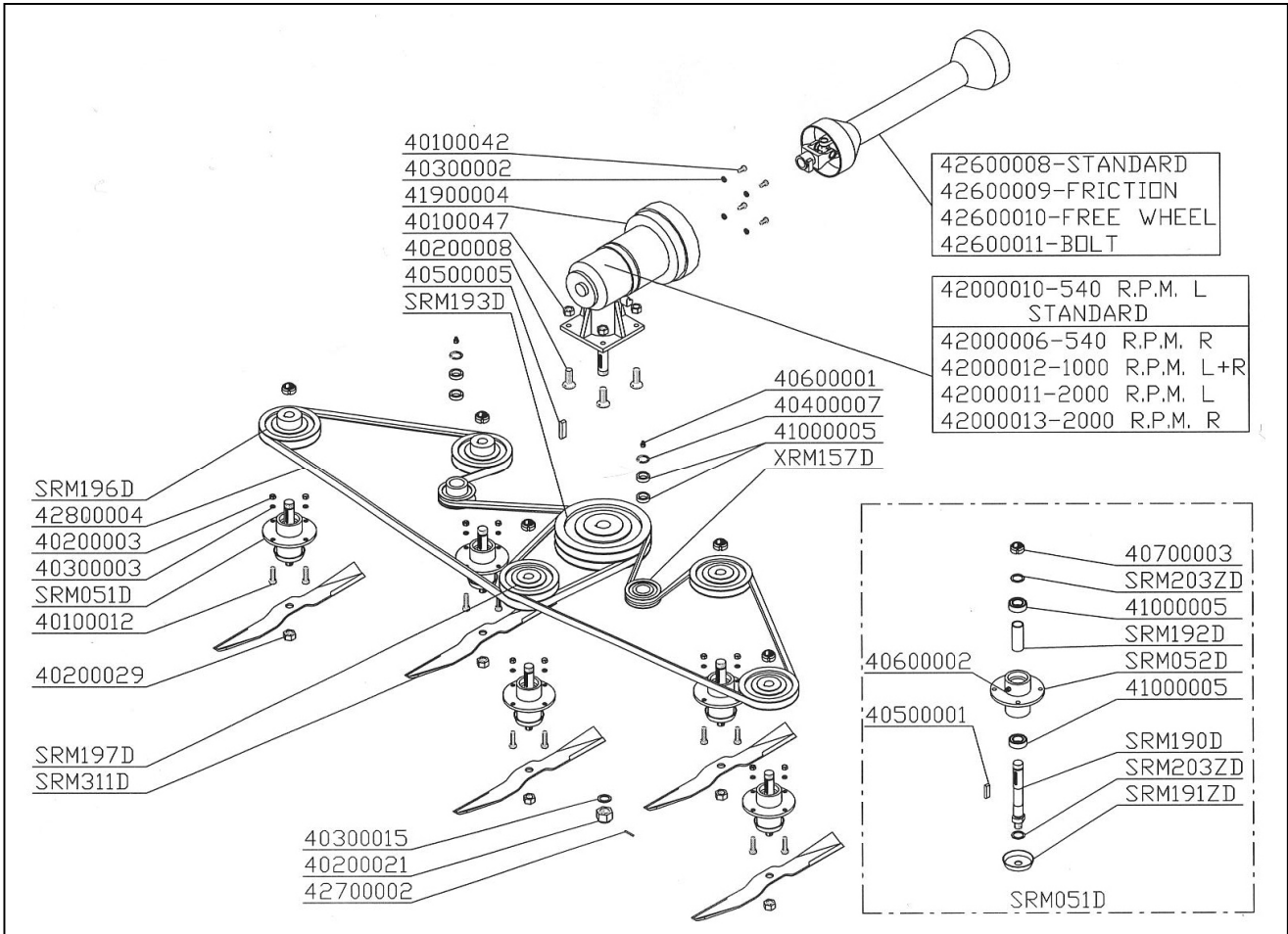
USA OPTION FRAME COMPONENTS



PRM-FMRD-SRM-FM TRANSMISSION

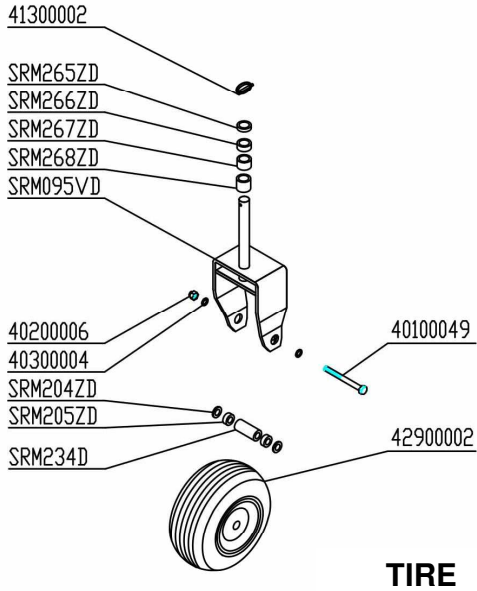


XRM-XFM TRANSMISSION

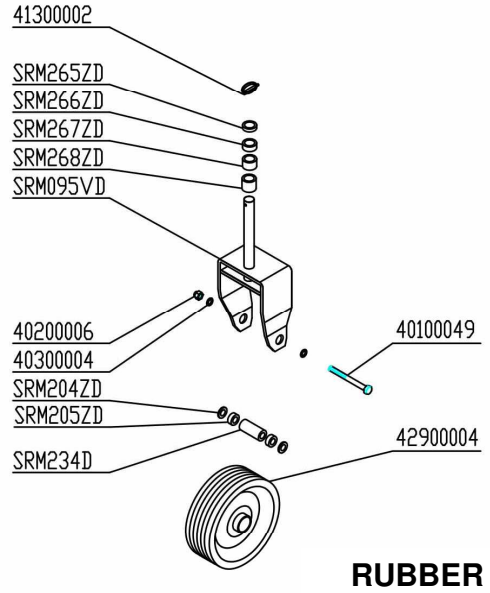


WHEELS AND FRONT ROLL COMPONENTS

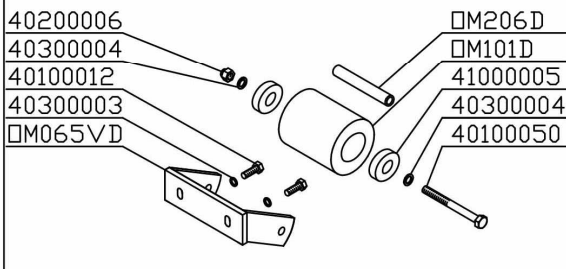
∅330 - SRM115D



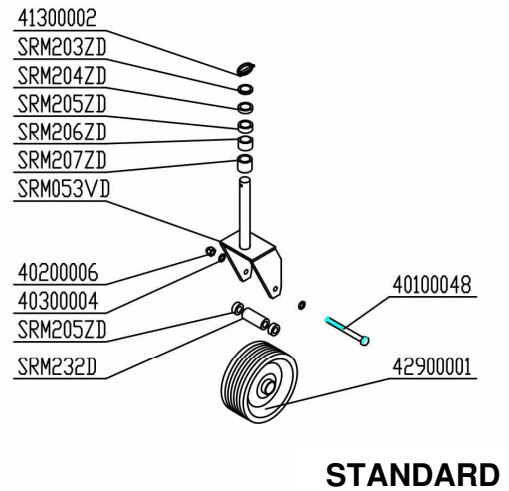
∅310 - SRM116D



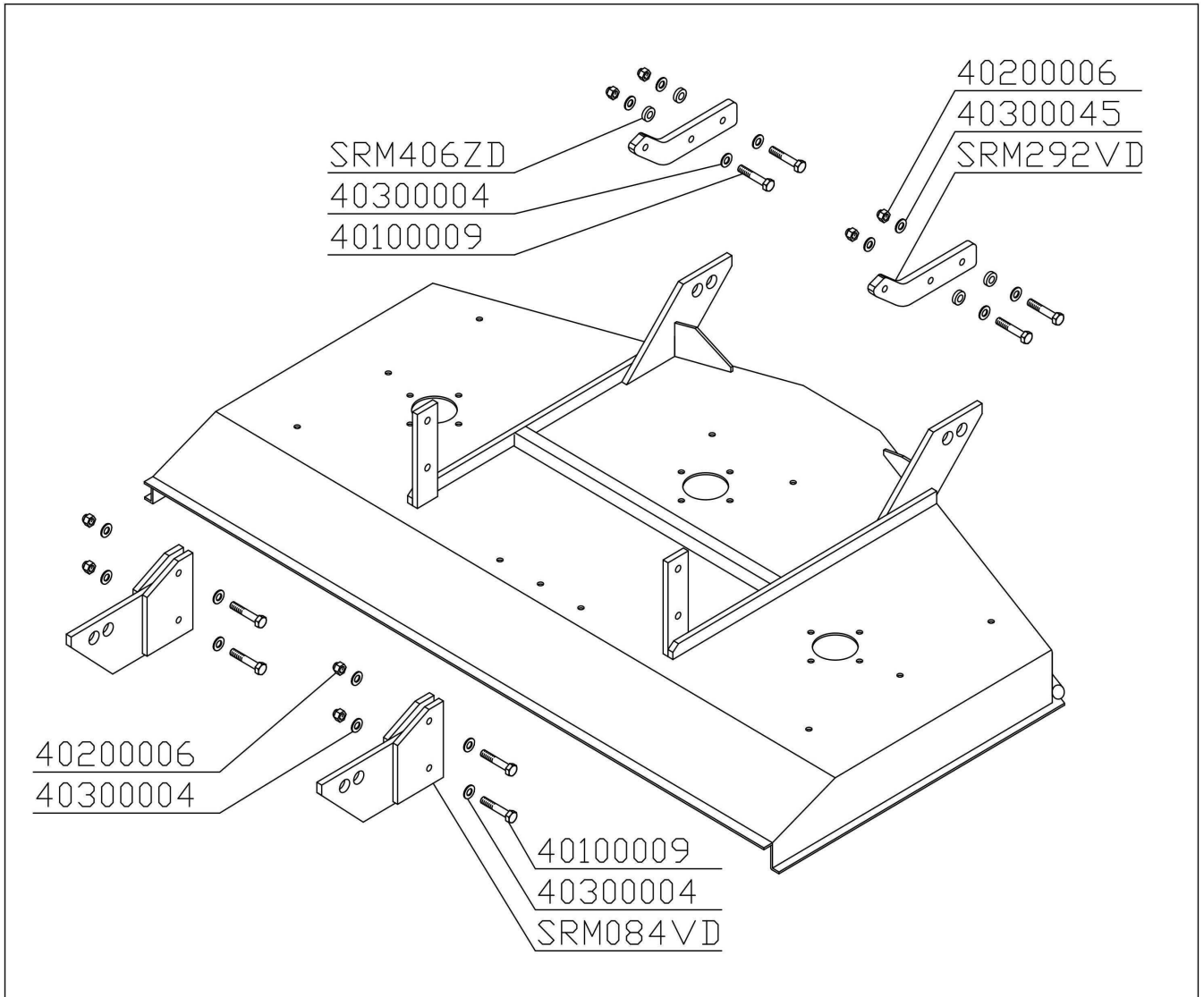
□M100D



∅210 - SRM071D

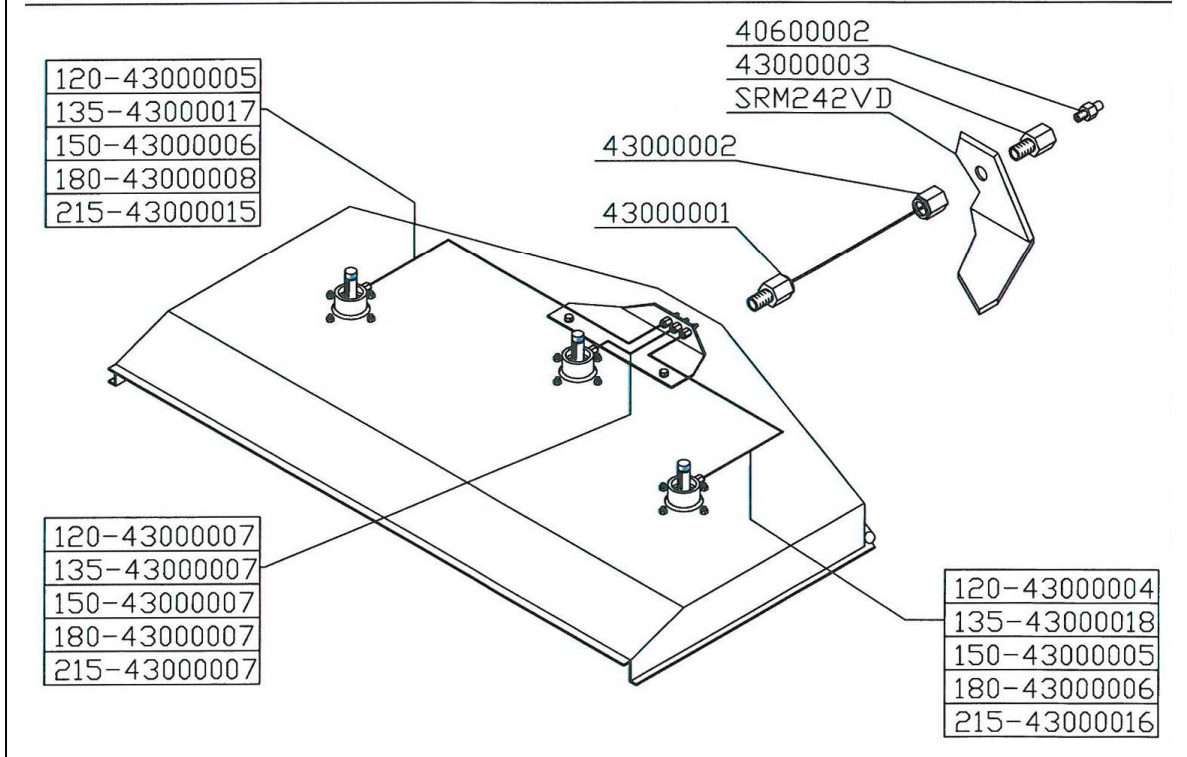
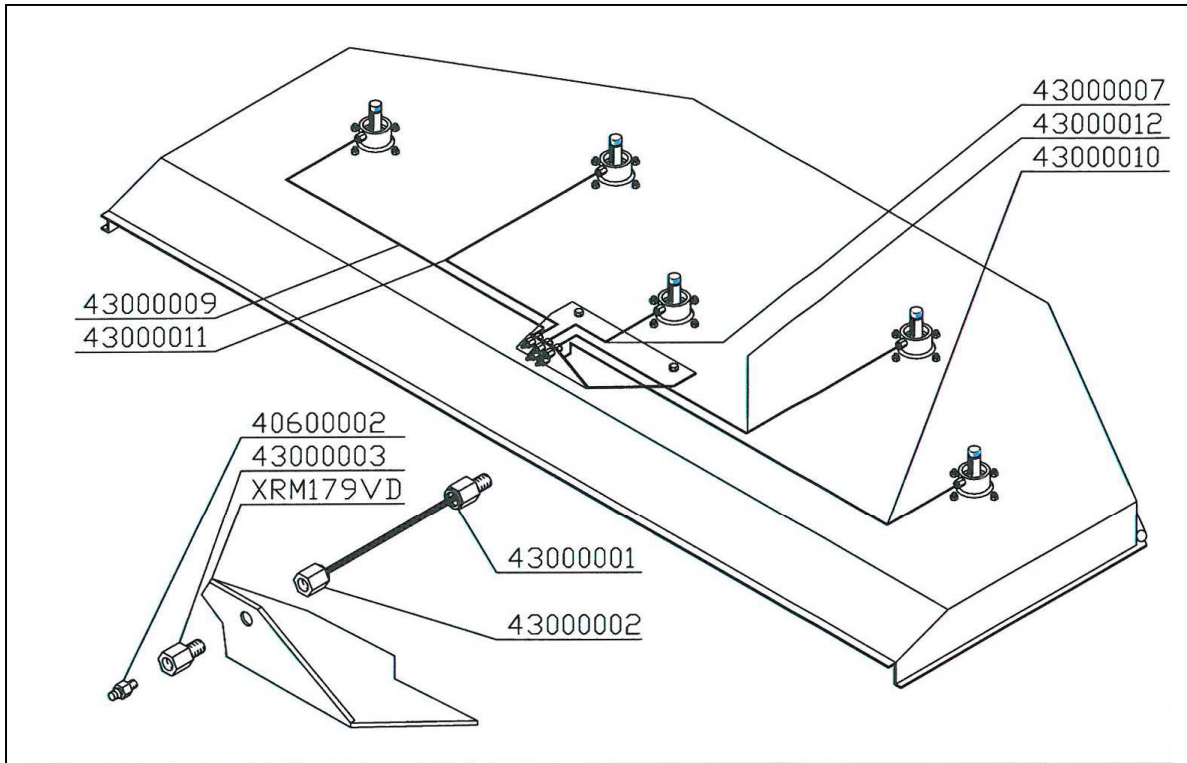


KIT TO TRANSFORM REAR MOWER IN FRONT MOWER AND VICEVERSA



The kit is suitable to transform the rear mowers, rear discharge (PRM) and side discharge (SRM), into front mowers, rear discharge (FMRD) and side discharge (FM).
 The kit is the same for the three dimensions 120, 135, 150 e 180.

CENTRALIZED LUBRICATION COMPONENTS



MULCHING KIT

